



FEDERAL SIGNAL

Safety and Security Systems / **Industrial**

Advancing security and well being

Model AV1-LED Audio-Visual LED Light



Installation and Maintenance Manual

2561528A
REV. A 512
Printed in U.S.A.
Imprimé aux États-Unis
Impreso en EE. UU.

*français.....page 21
español.....página 41*



Warranty – Seller warrants all goods for five years on parts and 2-1/2 years on labor, under the following conditions and exceptions: Seller warrants that all goods of Seller's manufacture will conform to any descriptions thereof for specifications which are expressly made a part of this sales contract and at the time of sale by Seller such goods shall be commercially free from defects in material or workmanship. Seller reserves the right at the Seller's discretion to "Repair and Return" or "Replace" any item deemed defective during the warranty period. This warranty does not cover travel expenses, the cost of specialized equipment for gaining access to the product, or labor charges for removal and reinstallation of the product. This warranty shall be ineffective and shall not apply to goods that have been subjected to misuse, neglect, accident, damage, improper maintenance, or to goods altered or repaired by anyone other than Seller or its authorized representative, or if five years have elapsed from the date of shipment of the goods by Seller with the following exceptions: lamps and strobe tubes are not covered under this warranty. Outdoor warning sirens and controllers manufactured by Federal Warning Systems are warranted for two years on parts and one year on labor. No agent, employee, representative or distributor of Seller has any authority to bind the Seller to any representation, affirmation, or warranty concerning the goods and any such representation, affirmation or warranty shall not be deemed to have become a part of the basics of the sales contract and shall be unenforceable. THE FOREGOING WARRANTIES ARE EXCLUSIVE AND IN LIEU OF ALL OTHER WARRANTIES OR MERCHANTABILITY, FITNESS FOR PURPOSE AND OF ANY OTHER TYPE, WHETHER EXPRESS OR IMPLIED. These warranties shall not apply unless Seller shall be given reasonable opportunity to investigate all claims for allegedly defective goods. Upon Seller's instruction a sample only of allegedly defective goods shall be returned to Seller for its inspection and approval. The basis of all claims for alleged defects in the goods not discoverable upon reasonable inspection thereof pursuant to paragraph 8 hereof must be fully explained in writing and received by Seller within thirty days after Buyer learns of the defect or such claim shall be deemed waived.



Industrial Systems
2645 Federal Signal Drive • University Park, IL 60484-3167
Tel: 708-534-4756 • Fax: 708-534-4852
Email: elp@federalsignal.com • www.federalsignal-indust.com

Contents

Safety Messages to Installers and Users.....	5
Unpacking the Model AV1-LED	6
Introduction to the Model AV1-LED.....	6
Mounting the Model AV1-LED.....	6
Pipe Mounting.....	7
Surface Mounting.....	7
Wiring the Model AV1-LED.....	9
Single Power Supply for Light and Sounder	9
Separate Power Supplies for Light and Sounder	10
Selecting How the Model AV1-LED Operates.....	12
Safety Message to Maintenance Personnel.....	13
Replacing the Sounder.....	15
Accessing the Sounder	15
Replacing the Sounder and Reassembling the Light	15
Replacing the AV1-LED Stick PCBAs	16
Obtaining Service, Assistance, and Parts.....	17
Repair Service	17
Technical Assistance	17
Mounting Accessories and Replacement Parts	17
Returning a Product for Credit.....	19

Figures

Figure 1	Surface mount exploded view	8
Figure 2	Mounting hole dimensions	9
Figure 3	Wiring for single power supply	10
Figure 4	Wiring for separate power supplies	11
Figure 5	Jumpers controlling LED and buzzer	12
Figure 6	Exploded view with sounder	14

Tables

Table 1	Mounting accessories	18
Table 2	Replacement parts	18

Safety Messages to Installers and Users

⚠ WARNING

It is important to follow all instructions shipped with this product. This device is to be installed by trained personnel who are thoroughly familiar with the country electric codes and will follow these guidelines as well as local codes.

The selection of a mounting location for the Model AV1-LED, its controls, and wiring routing must be done under the direction of the facilities engineer and the safety engineer. In addition, listed below are some other important safety instructions and precautions you should follow:

- Read and understand all instructions before installing or operating this product.
- To avoid electrical shock, disconnect the light from the power supply before installing the light.
- After installation, test the system to ensure that it is operating properly.
- The product nameplate, which may contain cautionary or other information of importance to maintenance personnel, should not be obscured in any way.
- To be an effective warning device, this product produces bright light that can be hazardous to your eyesight when viewed at close range. Do not stare directly into this lighting product at close range or permanent damage to your eyesight may occur.
- Establish a procedure to routinely check the system for proper activation and operation.
- After testing is complete, provide a copy of these instructions to all operating personnel.

Failure to follow all safety precautions and instructions may result in property damage, serious injury, or death.

Unpacking the Model AV1-LED

After unpacking the Model AV1-LED, examine it for damage that may have occurred in transit. If the product has been damaged, do not attempt to install or operate it. File a claim immediately with the carrier stating the extent of the damage. Carefully check all envelopes, shipping labels and tags before removing or destroying them. If any parts are missing, please call Federal Signal Customer Support at 708-534-4756.

Introduction to the Model AV1-LED

The Model AV1-LED combination audible/visual signal features a 100-percent polycarbonate housing that is rated for Type 3R rain-tight applications. The Fresnel lens provides superior visibility in all directions. Available lens colors include amber, blue, clear, green, and red. Jumper settings enable you to select a fast or slow flash rate and whether the buzzer and/or LED operate intermittently or continuously. The AV1-LED design provides three mounting configurations. The black base will accommodate mounting to a 1/2-inch NPT pipe, a 4-inch octagonal electrical box, or any flat surface. The surface-mount gasket serves as a template for preparing a flat surface with appropriate mounting holes.

All Model AV1-LED units feature a unique twist-and-lock lens to enable tool-free access to the LED light. The integrated buzzer provides 85 dB output at 10 ft (95 dB at 1 m). Two voltage variations are available: 24 Vdc and 120 Vac. Each Model AV1-LED is factory-assembled with two color-coded leads for wiring to a junction box. If necessary, installers can remove the leads and connect the power supply to the Model AV1-LED directly to the terminal block located in the base of the unit.

Mounting the Model AV1-LED

This section describes how to pipe-mount and surface-mount the light. To mount the light on a vertical surface, use a separately purchased Model LWMB2 (wall mounting bracket) or LCMB2 (corner mounting bracket) mounting kit (Table 1 on page 18). For weatherproof installation, the light must be mounted vertically with the lens facing upwards.

Pipe Mounting

To mount the Model AV1-LED on a 1/2-inch NPT pipe:

1. Attach the light to the pipe by turning the light clockwise.
2. To make the electrical connections, refer to “Wiring the Model AV1-LED” on page 9.

Surface Mounting

To mount the Model AV1-LED on a flat mounting surface:

1. Remove and retain the three #8 screws securing the upper housing to the lower housing. Remove the upper housing. (Figure 1 on page 8).
2. Using the gasket as a template or the dimensions shown in Figure 2 on page 9, scribe three drill-position marks on the mounting surface.
3. Drill a 3/16-inch (4.8 mm) diameter hole at the two outside drill-position marks for mounting.
4. Drill or punch a 3/4-inch (19.1 mm) diameter hole at the center drill-position mark for wire entry.
5. Use a small punch to remove the appropriate knockouts in the lower housing.
6. Center the mounting holes in the rubber gasket over the mounting holes in the mounting surface.
7. Center the mounting holes in the lower housing over the mounting holes in the gasket.
8. Secure the light to the mounting surface using the two mounting screws.
9. Refer to “Wiring the Model AV1-LED” on page 9 to complete the installation.

Figure 1 Surface mount exploded view

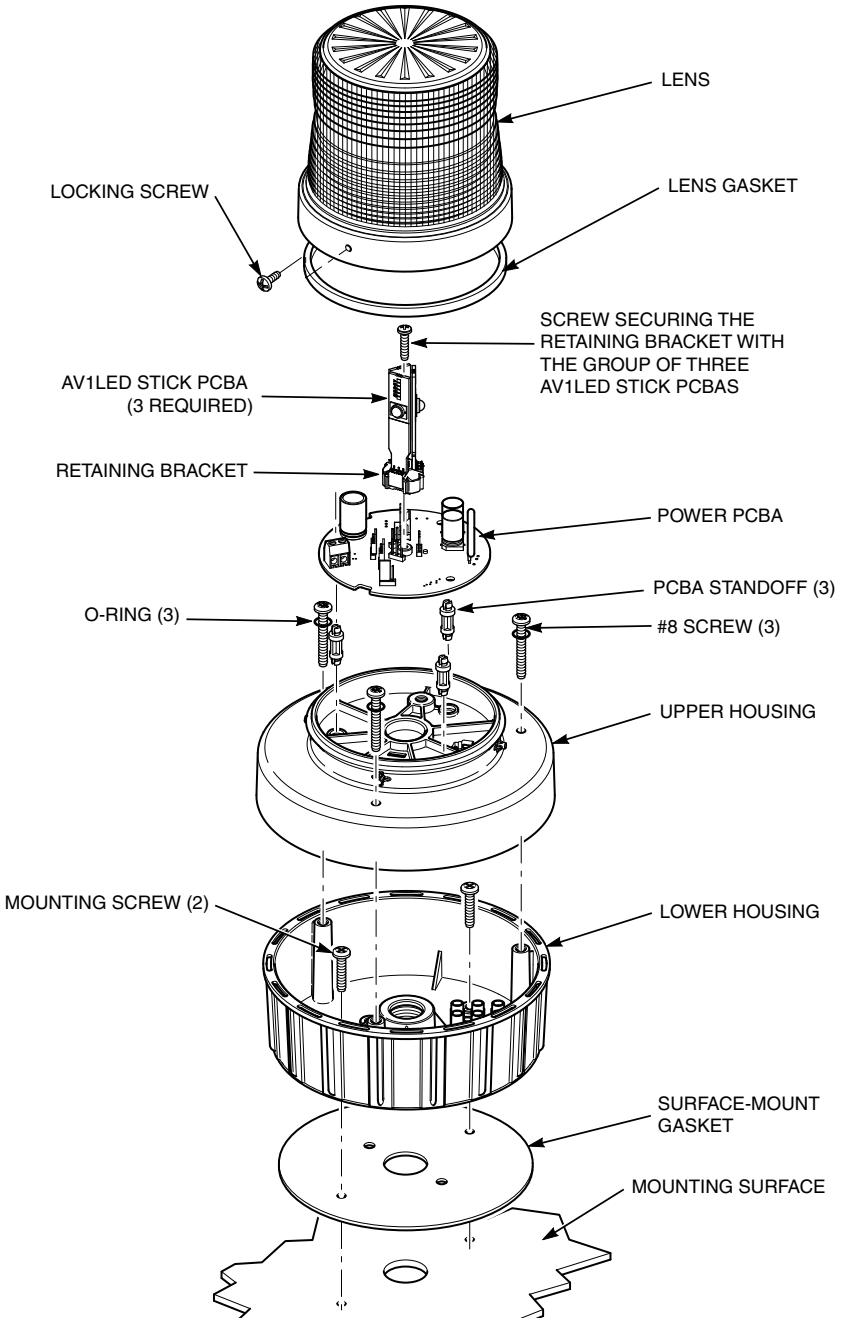
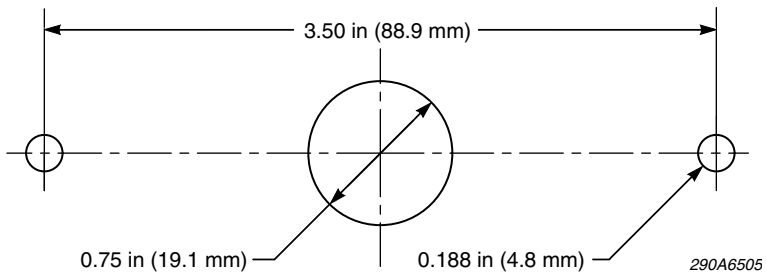


Figure 2 Mounting hole dimensions

Wiring the Model AV1-LED

The Model AV1-LED comes assembled from the factory with two color-coded leads for wiring to a junction box. To connect the Model AV1-LED directly to a power supply, simply remove the factory leads and make the power connections to the terminal block located in the lower housing.

⚠ WARNING

SHOCK HAZARD—Do not connect the light to the system while the power is on. Failure to heed this warning may cause serious injury or death

Single Power Supply for Light and Sounder

Required for the installation are supply wires of the appropriate size (12 AWG [3.0 mm²] maximum thickness).

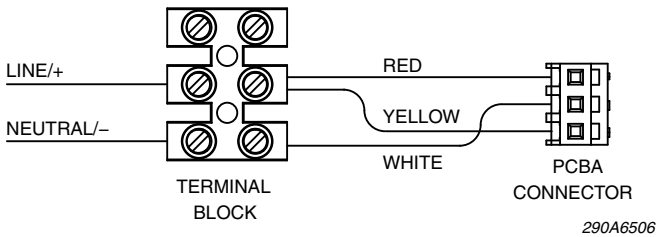
To wire the light to a single power supply for the unit:

1. Turn off power to the system.
2. Remove and retain the three #8 screws securing the upper housing to the lower housing. Remove the upper housing.
3. Remove the factory field-wiring leads from the terminal block.
4. Route supply wires of the appropriate gauge into the housing through the conduit entry.

■ *Installation and Maintenance Manual*

5. Strip a maximum of 0.25 in (6.4 mm) of wire insulation from the ends of the power leads.
6. See Figure 3. To connect the wires to the terminal block, insert the stripped ends of the wires into the connector as far as they can go, then tighten the clamping screw. The maximum tightening torque is 4.5 in-lb (0.5 N•m).
7. Reassemble the Model AV1-LED, restore power, and test the unit for proper operation.

Figure 3 Wiring for single power supply



Separate Power Supplies for Light and Sounder

In some applications it may be beneficial to control the light independent of the sounder. If this is the case, separate power supply wiring for each of the devices can be connected to the terminal block. Required for the installation are supply wires of the appropriate size (14 AWG [2.0 mm²] maximum thickness).

⚠ WARNING

SHOCK HAZARD—Do not connect the light to the system while the power is on. Failure to heed this warning may cause serious injury or death.

To wire the light and sounder to separate power supplies:

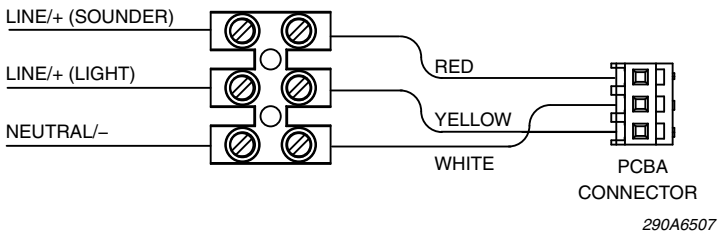
1. Turn off power to the system.
2. Remove and retain the three #8 screws securing the upper housing to the lower housing. Remove the upper housing.
3. Remove the factory field-wiring leads from the terminal block.

4. Route separate supply wires of the appropriate gauge for the light and sounder into the housing through the conduit entry.
5. Strip a maximum of 0.25 in (6.4 mm) of wire insulation from the ends of the power leads.
6. See Figure 4. To connect the wires to the terminal block, insert the stripped ends of the wires into the connector as far as they can go, then tighten the clamping screw. The maximum tightening torque is 4.5 in-lb (0.5 N•m).

NOTE: If it is necessary to combine two NEUTRAL/- wires, connect them to the same terminal on the terminal block.

7. Reassemble the Model AV1-LED, restore power, and test the unit for proper operation.

Figure 4 Wiring for separate power supplies



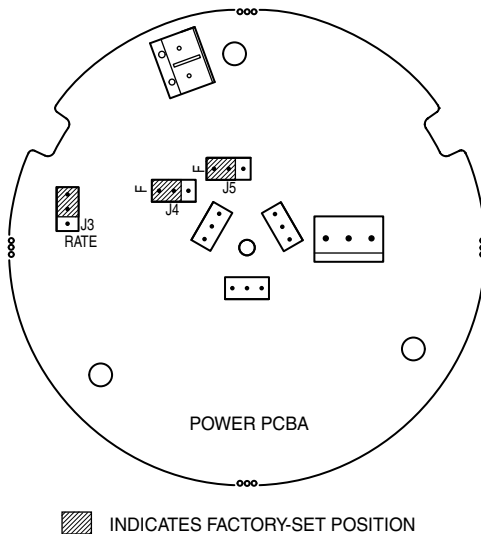
Selecting How the Model AV1-LED Operates

Jumpers at J3, J4, and J5 on the power PCBA enable you to select how the Model AV1-LED operates. The options are (factory settings in brackets):

- ◆ J3 Flash Rate: [fast] or slow
- ◆ J4 LED: [intermittent] or continuous
- ◆ J5 Sounder: [intermittent] or continuous

Figure 5 shows the locations and factory-set positions of the three jumpers.

Figure 5 Jumpers controlling LED and buzzer



NOTE: The continuous illumination and sound features allow the AV1-LED to be operated with variations in the external flash patterns and duty cycle. However, the AV1-LED is not intended to be powered on continuously for long periods of time. Doing so will significantly shorten the life of the sounder; and therefore continuous operation of the AV1-LED is not recommended.

Safety Message to Maintenance Personnel

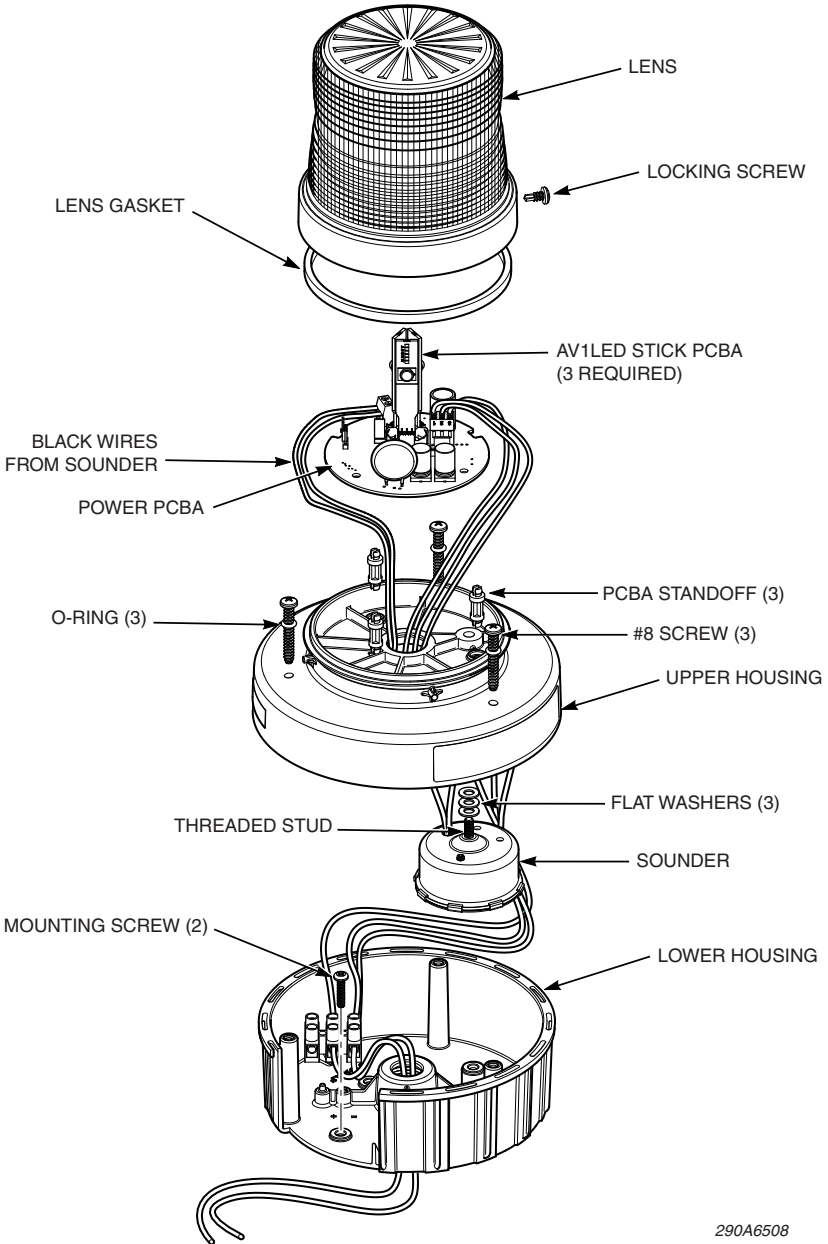
⚠ WARNING

Listed below are some important safety instructions and precautions you should follow:

- Any maintenance to the system must be performed by a trained electrician in accordance with NEC/CEC guidelines and local codes.
- Read and understand all instructions before operating this system.
- To avoid electrical shock, turn off power to the system before performing any maintenance.
- The circuitry of the Model AV1-LED can be damaged by electrostatic discharge. Follow anti-static procedures when servicing this product.
- Never alter the unit in any manner. Safety may be endangered if additional openings or other alterations are made to the unit.
- The nameplate, which contains cautionary or other information of importance to maintenance personnel, should not be obscured in any way.
- To be an effective warning device, this product produces bright light that can be hazardous to your eyesight when viewed at close range. Do not stare directly into this lighting product at close range or permanent damage to your eyesight may occur.
- After performing any maintenance, test the system to ensure that it is operating properly.
- Establish a procedure to routinely check the system for proper activation and operation.

Failure to follow all safety precautions and instructions may result in property damage, serious injury, or death.

Figure 6 Exploded view with sounder



Replacing the Sounder

Occasionally check for a reduction in the output of the sounder. If the sound pressure is reduced to an ineffective level, replace the sounder.

⚠ WARNING

SHOCK HAZARD—Do not connect the light to the system while the power is on. Failure to heed this warning may cause serious injury or death.

Accessing the Sounder

The sounder is located on the bottom of the upper housing (Figure 6 on page 14).

To access the sounder:

1. Turn off power to the system.
2. Loosen the lens locking screw and twist the lens counter-clockwise one-quarter turn. Remove the lens from the upper housing.
3. Loosen the screws on terminal block J9 on the PCBA and remove the black leads of the sounder.
4. The mounting holes permit only one orientation of the PCBA. Note or mark the orientation.
5. Use a flat-head screwdriver to carefully pry the PCBA from the three nylon standoffs and set the PCBA aside.
6. Remove the three #8 screws securing the upper housing to the lower housing and remove the upper housing.

Replacing the Sounder and Reassembling the Light

1. Unscrew the sounder from the upper housing (Figure 5 on page 12). Be careful to not lose the three washers that space the sounder from the upper housing.
2. Place the washers on the threaded lug of the new sounder and hand-tighten the sounder.

3. To reconnect the wires to the terminal block, insert the ends of the wires into the J9 connector as far as they can go, then tighten the clamping screw. The maximum tightening torque is 4.5 in-lb (0.5 N•m).
4. Gently press the PCBA onto the standoff's until it locks in place.
5. Align the pins on the housing with the detents on the lens. Apply downward pressure on the lens while turning it clockwise one-quarter turn.
6. Tighten the lens locking screw.
7. Restore power and test the Model AV1-LED for proper operation.

Replacing the AV1-LED Stick PCBAs

Although the AV1-LED stick PCBAs are designed to give years of service, replacement parts are available. LED colors and replacement part numbers are shown in Table 2 on page 18. Because the stick PCBAs are connected in series, you must replace all three.

The stick PCBAs are held by a retaining bracket at 60 degrees to each other. When joined with the bracket, the PCBAs connect to pins at J5, J7, and J8 on the power PCBA. The stick PCBAs are secured to the power PCBA with a Phillips-head screw (Figure 1 on page 8).

▲WARNING

SHOCK HAZARD—Do not connect the light to the system while the power is on. Failure to heed this warning may cause serious injury or death.

To remove the AV1-LED stick PCBAs:

1. Turn off power to the system.
2. Loosen the lens locking screw and twist the lens counter-clockwise one-quarter turn. Remove the lens from the upper housing.
3. Remove the Phillips-head screw retaining the bracket holding the AV1-LED stick PCBAs.

4. Grasp the group of three AV1-LED stick PCBAs and pull them straight up from the power PCBA.
5. Remove and replace the AV1-LED stick PCBAs on the retaining bracket.
6. Insert the bracket with the stick PCBAs onto the pins on the power PCBA. Secure the assembly with the Phillips-head screw.
7. Align the pins on the housing with the detents on the lens. Apply downward pressure on the lens while turning it clockwise one-quarter turn.
8. Tighten the lens locking screw.
9. Restore power and test the Model AV1-LED for proper operation.

Obtaining Service, Assistance, and Parts

Federal Signal will service your product and provide technical assistance and support. Please call the phone numbers listed below. For instruction manuals and information about related products, please go to <http://www.federal-signal.com>

Repair Service

Products returned for repair require a Return Authorization form. To obtain service for the product, please contact the Federal Signal Service Department at 708-534-4858.

Technical Assistance

For technical assistance, please call Technical Support at 708-534-3424, extension 5823.

Mounting Accessories and Replacement Parts

To order replacement parts, please call Federal Signal Customer Support at 708-534-4756.

For mounting accessories and replacement parts, see Table 1 and Table 2 on page 18.

Table 1 Mounting accessories

Description	Model Number
Mounting bracket, wall	LWMB2
Mounting bracket, corner	LCMB2

Table 2 Replacement parts

Description	Part Number
Lens, clear	K8550292
Lens, blue	K8550292-01
Lens, amber	K8550292-02
Lens, red	K8550292-03
Lens, green	K8550292-04
Lens gasket	K8550306
Surface-mount gasket	K8591003
Printed circuit board assy., 120 Vac	K2005642
Printed circuit board assy., 24 Vdc	K2005695
PCBA, AV1-LED stick, amber (3 required)	K2005633-A
PCBA, AV1-LED stick, blue (3 required)	K2005633-B
PCBA, AV1-LED stick, green (3 required)	K2005633-G
PCBA, AV1-LED stick, red (3 required)	K2005633-R
PCBA, AV1-LED stick, white (3 required)	K2005633-W
Sounder, 120 Vac	K8591002
Sounder, 24 Vdc	K8591002-03

Returning a Product for Credit

Product returns for credit require a Return Authorization from your local distributor prior to returning the product to Federal Signal. Please contact your distributor for assistance.

A product is qualified to be returned for credit when the following conditions are met:

- Product is resalable and in the original cartons
- Product has not been previously installed
- Product is the current revision
- Product has not been previously repaired
- Product is a standard product
- Product is not a service part

All returns are subject to a re-stock fee.

Defective products that are returned within the warranty period will be repaired or replaced at Federal Signal's sole discretion. Defective products do not include those products with lamp failure.

Circumstances other than those listed above will be addressed on a case-by-case basis.



FEDERAL SIGNAL

Safety and Security Systems / **Industrial**

Industrial Systems

2645 Federal Signal Drive • University Park, IL 60484-3167

Tel: 708-534-4756 • Fax: 708-534-4852

Email: elp@federalsignal.com • www.federalsignal-indust.com

DEL audio-visuelle modèle AV1



***Manuel d'installation
et d'entretien***



Garantie – Le vendeur offre une garantie de cinq (5) ans sur les pièces et de deux ans et demi (2½) sur la main d'œuvre pour l'ensemble de ses produits et selon les conditions et exceptions suivantes : le vendeur garantit que tous les produits fabriqués par le vendeur sont conformes à toutes les descriptions et spécifications qui sont expressément partie intégrante de ce contrat de vente et qu'au moment de la vente les marchandises sont commercialement exemptes de défauts matériels ou de fabrication. Le vendeur se réserve le droit, à sa discrétion, de « Réparer et retourner » ou de « Remplacer » tout article considéré comme défectueux au cours de la période de garantie. Cette garantie ne couvre pas les frais de déplacement, le coût de l'équipement spécialisé nécessaire pour accéder au produit ou les frais de main d'œuvre pour l'enlèvement et la réinstallation du produit. Cette garantie sera non valide et ne s'appliquera pas aux marchandises qui ont été soumises à des abus, à la négligence, un accident, un dommage, un mauvais entretien ou qui ont été modifiés ou réparés par quiconque autre que le vendeur ou son représentant agréé ou encore si plus de cinq ans se sont écoulés depuis la date d'expédition de la marchandise par le vendeur, avec les exceptions suivantes : les lampes et tubes stroboscopiques ne sont pas couverts par cette garantie. Les sirènes extérieures et les contrôleurs fabriqués par Federal Warning Systems sont couverts par une garantie de deux ans sur les pièces et d'un an sur la main-d'œuvre. Aucun agent, employé, représentant ou distributeur du vendeur ne possède l'autorité pour lier le vendeur à toute représentation, affirmation ou garantie concernant les marchandises et toute représentation, affirmation ou garantie ne sera pas réputée faire partie de ce contrat de vente et sera inapplicable. LES GARANTIES SUIVANTES SONT EXCLUSIVES ET REMPLACENT TOUTES AUTRES GARANTIES DE QUALITÉ MARCHANDE, D'ADÉQUATION À UN USAGE PARTICULIER OU AUTRES, QU'ELLES SOIENT EXPRESSES OU IMPLICITES. Ces garanties ne s'appliquent pas à moins que le vendeur ne puisse profiter de possibilités raisonnables pour enquêter sur toutes les réclamations concernant des biens prétendument défectueux. Un échantillon du produit prétendument défectueux doit être retourné au vendeur à sa demande pour une inspection et une approbation. La base de toute réclamation pour des défauts allégués de la marchandise qui ne sont pas détectables après une inspection raisonnable de celle-ci conformément au paragraphe 8 ci-dessous doit être entièrement expliquée par écrit et reçue par le vendeur dans les trente jours suivant la date à laquelle l'acheteur apprend la défectuosité ou une telle réclamation sera réputée abandonnée.



FEDERAL SIGNAL

Safety and Security Systems / **Industrial**

Industrial Systems

2645 Federal Signal Drive • University Park, IL 60484-3167

Téléphone : 708 534-4756 • Fax : 708 534-4852

Courriel : elp@federalsignal.com • www.federalsignal-indust.com

Table des matières

Messages de sécurité pour les installateurs et les utilisateurs	25
Déballage du système d'avertissement DEL modèle AV1.....	26
Présentation du système d'avertissement DEL modèle AV1	26
Montage du système d'avertissement DEL modèle AV1	27
Montage sur tuyau.....	27
Montage sur une surface	27
Câblage du système d'avertissement DEL modèle AV1	29
Alimentation unique pour la lumière et l'avertisseur sonore.....	30
Alimentations séparées pour la lumière et l'avertisseur sonore.....	31
Choisir le mode de fonctionnement du système d'avertissement DEL modèle AV1	32
Message de sécurité pour le personnel d'entretien	33
Remplacer l'avertisseur sonore	34
Accéder à l'avertisseur sonore.....	34
Remplacement de l'avertisseur sonore et remontage de la lumière.....	36
Remplacement des barrettes de circuit imprimé du système d'avertissement DEL modèle AV1	36
Obtenir de l'entretien, de l'assistance et des pièces de rechange	38
Service de réparation	38
Assistance technique.....	38
Accessoires de montage et pièces de rechange.....	38
Retour d'un produit pour un avoir	40

Figures

Figure 1 Vue éclatée d'un montage sur une surface plane.....	28
Figure 2 Dimensions des trous de montage	29
Figure 3 Câblage pour une alimentation unique	30
Figure 4 Câblage pour une alimentation séparée	32
Figure 5 Cavaliers de commande de la lumière DEL et de l'avertisseur sonore	33
Figure 6 Vue éclatée avec l'avertisseur sonore	35

Tableaux

Tableau 1 Accessoires de montage	38
Tableau 2 Pièces de rechange	39

Messages de sécurité pour les installateurs et les utilisateurs

▲ AVERTISSEMENT

Il est important de suivre toutes les instructions fournies avec ce produit. Cet appareil doit être installé par un personnel qualifié qui est familier avec les codes électriques locaux et qui suivra ces lignes directrices ainsi que les codes locaux.

La sélection d'un emplacement de montage pour le système d'avertissement DEL modèle AV1 ainsi que l'installation des commandes et l'acheminement du câblage doivent être effectuées sous la direction de l'ingénieur des installations et de l'ingénieur de la sécurité. Voici quelques autres consignes et précautions de sécurité importantes que vous devriez suivre :

- Lisez et assurez-vous de comprendre toutes les instructions avant d'installer ou d'utiliser ce produit.
- Débranchez la lumière de l'alimentation électrique avant de l'installer pour éviter toute décharge électrique.
- Testez le système après l'installation pour vérifier qu'il fonctionne correctement.
- La plaque signalétique du produit ne doit être cachée d'aucune façon ; elle peut contenir des avertissements ou d'autres informations importantes pour le personnel d'entretien.
- Pour constituer un dispositif d'alerte efficace, ce produit doit émettre une lumière vive qui peut être dangereuse pour votre vue si vous la regardez de près. Ne regardez pas directement la lumière émise par ce système d'avertissement à une distance rapprochée ; des dommages permanents à votre vue pourraient en découler.
- Établissez une procédure pour vérifier régulièrement l'activation et le bon fonctionnement du système.
- Donnez une copie de ces instructions à tout le personnel concerné après la réalisation du test.

Le non-respect de ces précautions et consignes de sécurité peut entraîner des dommages matériels, des blessures graves ou la mort.

Déballage du système d'avertissement DEL modèle AV1

Examinez le système d'avertissement DEL modèle AV1 après le déballage pour tout dommage qui pourrait avoir eu lieu pendant le déplacement. Si le produit a été endommagé, n'essayez pas de l'installer ou de le faire fonctionner. Remplissez immédiatement une réclamation auprès du transporteur en indiquant l'étendue des dégâts. Vérifiez soigneusement toutes les enveloppes, bordereaux d'expédition et étiquettes avant de les enlever ou de les détruire. Si des pièces manquent, veuillez appeler le soutien à la clientèle de Federal Signal au 708-534-4756.

Présentation du système d'avertissement DEL modèle AV1

Le système d'avertissement DEL modèle AV1 combine des fonctions d'avertissement sonores et visuelles dans un boîtier 100 % polycarbonate qui est classé pour les applications de type 3R étanches à la pluie. La lentille de Fresnel permet une visibilité supérieure dans toutes les directions. Les couleurs de lentilles disponibles incluent la couleur ambre, le bleu, le vert, le rouge et les lentilles transparentes. La configuration des cavaliers vous permet de sélectionner une fréquence de clignotement lente ou rapide et de déterminer si l'avertisseur sonore et/ou la lumière DEL vont fonctionner par intermittence ou en continu. La conception du système d'avertissement DEL modèle AV1 permet trois configurations de montage. La base noire peut être montée sur un tuyau NPT de 1/2 pouce, une boîte électrique octogonale de 4 pouces ou sur toute surface plane. Le joint d'étanchéité pour le montage sur une surface sert de modèle pour la préparation d'une surface plane avec des trous de montage appropriés.

Toutes les unités du système d'avertissement DEL modèle AV1 comportent une lentille dévissable et verrouillable unique pour permettre un accès à l'ampoule DEL sans outils. L'avertisseur sonore intégré procure une puissance sonore de 85 dB à 10 pi (95 dB à 1 m). Deux tensions sont disponibles : 24 V CC et 120 V CA. Chaque système d'avertissement DEL modèle AV1 est assemblé en usine avec deux fils de connexion chromocodés pour le câblage à une boîte de jonction. Si nécessaire, les installateurs peuvent retirer ces fils et connecter l'alimentation électrique directement à la borne située à la base du système d'avertissement DEL modèle AV1.

Montage du système d'avertissement DEL modèle AV1

Cette section décrit comment monter le système d'avertissement sur un tuyau et sur une surface plane. Pour monter la lumière sur une surface verticale, utilisez un ensemble de montage LWMB2 (support de montage mural, vendu séparément) ou LCMB2 (support de montage de coin, vendu séparément) (tableau 1, page 38). Pour une installation étanche, la lumière doit être installée verticalement avec la lentille face vers le haut.

Montage sur tuyau

Pour monter le système d'avertissement DEL modèle AV1 sur un tuyau à filetage NPT de 1/2 pouce :

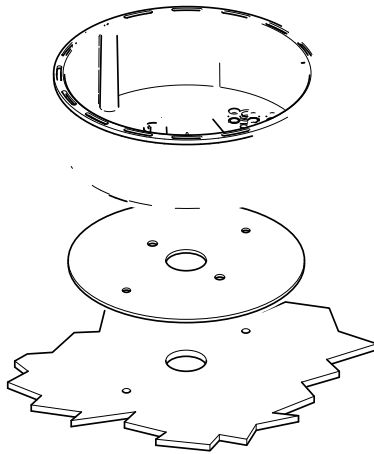
1. Joignez l'ensemble au tuyau en le tournant dans le sens des aiguilles d'une montre.
2. Pour effectuer les connexions électriques, référez-vous à la section « Câblage du système d'avertissement DEL modèle AV1 » à la page 29.

Montage sur une surface

Pour monter le système d'avertissement DEL modèle AV1 sur une surface de montage plane :

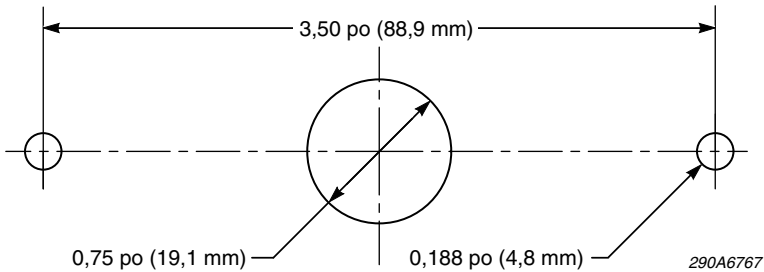
1. Retirez et conservez les trois vis n° 8 qui attachent la partie supérieure du boîtier à la partie inférieure du boîtier. Retirez le boîtier supérieur. (figure 1, page 28).
2. Utilisez le joint comme un modèle ou les dimensions de la figure 2, page 29, pour inscrire trois marques de perçage sur la surface de montage.
3. Percez un trou d'un diamètre de 3/16 pouces (4,8 mm) à l'emplacement des deux marques de perçage extérieures pour le montage.
4. Percez ou poinçonnez un trou d'un diamètre de 3/4 pouce (19,1 mm) à l'emplacement de la marque de perçage centrale pour faire passer le fil.
5. Utilisez un petit poinçon pour ouvrir les orifices prédécoupés appropriés dans le boîtier inférieur.

Figure 1 Vue éclatée d'un montage sur une surface plane



6. Centrez les trous de montage du joint en caoutchouc sur les trous de fixation de la surface de montage.
7. Centrez les trous de montage du boîtier inférieur sur les trous de fixation du joint en caoutchouc.
8. Fixez l'ensemble à la surface de montage en utilisant les deux vis de montage.
9. Référez-vous à la section « Câblage du système d'avertissement DEL modèle AV1 » à la page 29 pour terminer l'installation.

Figure 2 Dimensions des trous de montage



Câblage du système d'avertissement DEL modèle AV1

Le système d'avertissement DEL modèle AV1 est livré de l'usine avec deux fils de connexion chromocodés pour le câblage à une boîte de jonction. Il suffit d'enlever les fils installés en usine et d'effectuer les connexions sur le bloc de jonction situé dans le bas du boîtier pour connecter le système d'avertissement DEL modèle AV1 directement à une source d'alimentation.

▲ AVERTISSEMENT

RISQUE DE CHOC — Ne pas brancher la lumière au système pendant que la source d'alimentation est allumée. Le non-respect de cet avertissement peut causer des blessures graves ou mortelles.

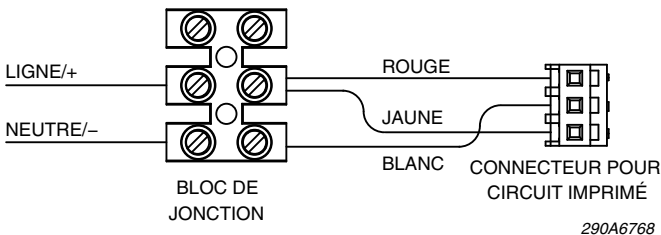
Alimentation unique pour la lumière et l'avertisseur sonore

Des fils d'alimentation de la taille appropriée (12 AWG [3,0 mm²] de diamètre au maximum) sont requis pour l'installation.

Pour connecter la lumière à une source d'alimentation unique pour l'appareil :

1. Coupez l'alimentation du système.
2. Retirez et conservez les trois vis n° 8 qui attachent la partie supérieure du boîtier à la partie inférieure du boîtier. Retirez le boîtier supérieur.
3. Retirez le câblage installé en usine du bloc de jonction.
4. Insérez des fils d'alimentation de la taille appropriée dans le boîtier par l'entrée du conduit.
5. Dénudez l'extrémité des fils d'alimentation sur un maximum de 0,25 po (6,4 mm).
6. Voir la figure 3. Pour raccorder les fils au bloc de jonction, insérez les extrémités dénudées des fils dans le connecteur aussi profondément que possible puis serrez la vis de serrage. Le couple de serrage maximal est de 4,5 po-lb (0,5 N•m).
7. Remontez le système d'avertissement DEL modèle AV1, rétablissez le courant et testez l'appareil pour un fonctionnement correct.

Figure 3 Câblage pour une alimentation unique



Alimentations séparées pour la lumière et l'avertisseur sonore

Dans certains cas, il peut être utile de pouvoir contrôler la lumière indépendamment de l'avertisseur sonore. Si c'est le cas, une alimentation séparée pour chacun des périphériques peut être connectée à la borne. Des fils d'alimentation de la taille appropriée (14 AWG [2,0 mm²] de diamètre au maximum) sont requis pour l'installation.

▲ AVERTISSEMENT

RISQUE DE CHOC – Ne pas brancher la lumière au système pendant que la source d'alimentation est allumée. Le non-respect de cet avertissement peut causer des blessures graves ou mortelles.

Pour connecter la lumière et l'avertisseur sonore à des sources d'alimentations séparées :

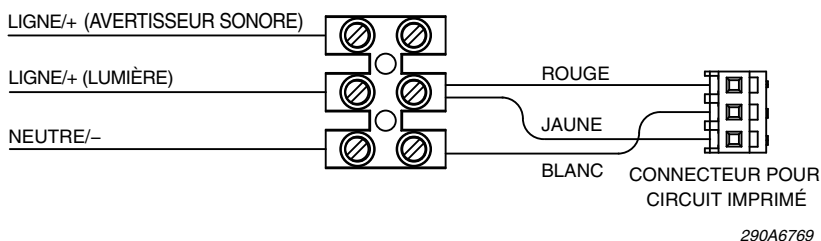
1. Coupez l'alimentation du système.
2. Retirez et conservez les trois vis n° 8 qui attachent la partie supérieure du boîtier à la partie inférieure du boîtier. Retirez le boîtier supérieur.
3. Retirez le câblage installé en usine du bloc de jonction.
4. Insérez des fils d'alimentation séparés et de la taille appropriée pour la lumière et l'avertisseur sonore dans le boîtier par l'entrée du conduit.
5. Dénudez l'extrémité des fils d'alimentation sur un maximum de 0,25 po (6,4 mm).
6. Voir la figure 4. Pour raccorder les fils au bloc de jonction, insérez les extrémités dénudées des fils dans le connecteur aussi profondément que possible puis serrez la vis de serrage. Le couple de serrage maximal est de 4,5 po-lb (0,5 N•m).

REMARQUE : S'il est nécessaire de combiner deux fils NEUTRES/–, connectez-les à la même borne sur le bloc de jonction.

7. Remontez le système d'avertissement DEL modèle

AV1, rétablissez le courant et testez l'appareil pour un fonctionnement correct.

Figure 4 Câblage pour une alimentation séparée



Choisir le mode de fonctionnement du système d'avertissement DEL modèle AV1

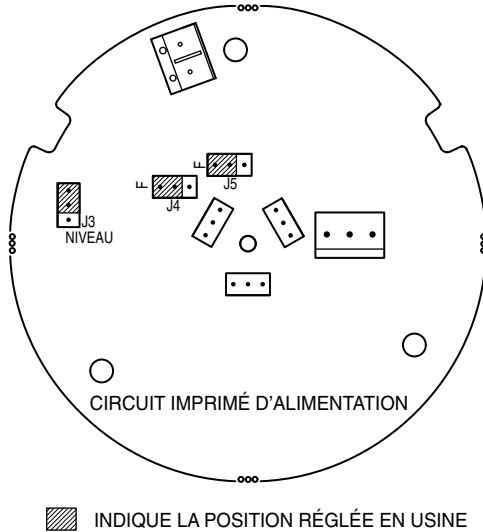
Les connexions temporaires sur les bornes J3, J4 et J5 du circuit imprimé vous permettent de sélectionner la façon dont le système d'avertissement DEL modèle AV1 fonctionne. Les options sont (réglages d'usine entre parenthèses) :

- ◆ J3 Vitesse de clignotement : [rapide] ou lente
- ◆ J4 DEL : [intermittent] ou continu
- ◆ J5 Avertisseur sonore : [intermittent] ou continu

La figure 5 montre les emplacements et les réglages d'usine des trois fils de cavaliers.

REMARQUE : Les modes continus pour l'éclairage et l'avertisseur sonore permettent au système d'avertissement DEL modèle AV1 d'être utilisé avec des variations dans les modes de clignotement et les cycles d'utilisations externes. Par contre, le système d'avertissement DEL modèle AV1 n'est pas destiné à être alimenté en continu pendant de longues périodes de temps. L'utiliser d'une telle manière raccourcira considérablement la durée de vie de l'avertisseur sonore; le fonctionnement en continu n'est pas recommandé pour le système d'avertissement DEL modèle AV1.

Figure 5 Connexion temporaire pour la commande de la lumière DEL et de l'avertisseur sonore



Message de sécurité pour le personnel d'entretien

⚠ AVERTISSEMENT

Voici quelques consignes de sécurité et précautions importantes que vous devriez suivre :

- Tout entretien du système doit être effectué par un électricien qualifié en conformité avec les directives NEC/CEC et les codes locaux.
- Lisez et assurez-vous de comprendre toutes les instructions avant d'utiliser ce produit.
- Coupez l'alimentation du système avant d'effectuer une opération de maintenance pour éviter toute décharge électrique.
- Les circuits électroniques du système d'avertissement DEL modèle AV1 peuvent être endommagés par des décharges électrostatiques. Suivez les procédures antistatiques lors de l'entretien de ce produit.
- Ne modifiez jamais cet appareil d'aucune manière. La sécurité peut être menacée si des ouvertures supplémentaires ou d'autres modifications sont apportées à l'appareil.

■ Manuel d'installation et d'entretien

- La plaque signalétique du produit ne doit être cachée d'aucune façon; elle contient des avertissements ou d'autres informations importantes pour le personnel d'entretien.
- Pour constituer un dispositif d'alerte efficace, ce produit doit émettre une lumière vive qui peut être dangereuse pour votre vue si vous la regardez de près. Ne regardez pas directement la lumière émise par ce système d'avertissement à une distance rapprochée ; des dommages permanents à votre vue pourraient en découler.
- Testez le système pour vérifier qu'il fonctionne correctement après toute opération de maintenance.
- Établissez une procédure pour vérifier régulièrement l'activation et le bon fonctionnement du système.

Le non-respect de ces précautions et consignes de sécurité peut entraîner des dommages matériels, des blessures graves ou la mort.

Remplacer l'avertisseur sonore

Vérifiez le système de temps à autre pour éviter une réduction de la puissance de l'avertisseur sonore. Si la puissance sonore est réduite à un niveau inefficace, remplacer l'avertisseur sonore.

▲ AVERTISSEMENT

RISQUE DE CHOC — Ne pas brancher la lumière au système pendant que la source d'alimentation est allumée. Le non-respect de cet avertissement peut causer des blessures graves ou mortelles.

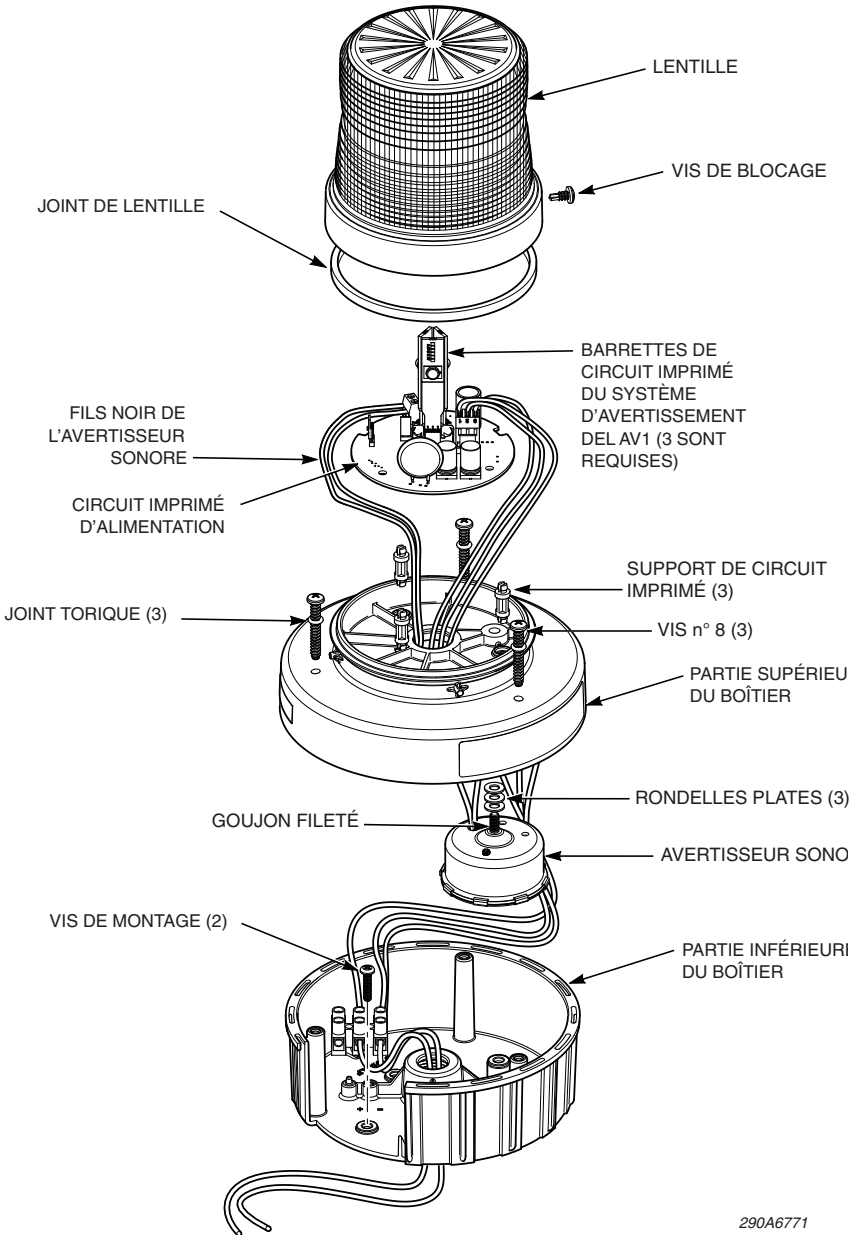
Accéder à l'avertisseur sonore

L'avertisseur sonore est situé dans le bas de la partie supérieure du boîtier (figure 6, page 35). Pour accéder à l'avertisseur sonore :

1. Coupez l'alimentation du système.
2. Desserrez la vis de blocage de la lentille et tournez-la un quart de tour dans le sens inverse des aiguilles d'une montre. Retirez la lentille du boîtier supérieur.
3. Desserrez les vis de la borne J9 sur le bloc de jonction du circuit imprimé et retirez les fils noirs de l'avertisseur sonore.

4. Les trous de fixation ne permettent qu'une seule orientation pour le circuit imprimé. Notez ou marquez l'orientation.

Figure 6 Vue éclatée avec l'avertisseur sonore



290A6771

5. Utilisez un tournevis à tête plate pour soulever délicatement le circuit imprimé des trois supports en nylon et mettez-le de côté.
6. Retirez les trois vis n° 8 attachant la partie supérieure du boîtier à la partie inférieure du boîtier et retirez la partie supérieure du boîtier.

Remplacement de l'avertisseur sonore et remontage de la lumière

1. Dévissez l'avertisseur sonore de la partie supérieure du boîtier (figure 5, page 33). Faites attention de ne pas perdre les trois rondelles d'espacement entre l'avertisseur sonore et la partie supérieure du boîtier.
2. Placez les rondelles sur le goujon fileté du nouvel avertisseur sonore et serrez-le à la main.
3. Pour reconnecter les fils au bloc de jonction, insérez les extrémités des fils dans la borne J9 aussi loin que possible puis serrez la vis de serrage. Le couple de serrage maximal est de 4,5 po-lb (0,5 N•m).
4. Pressez doucement le circuit imprimé sur les supports jusqu'à ce qu'il se verrouille en place.
5. Alignez les tenons du boîtier avec les crans de la lentille. Appliquez une pression vers le bas sur la lentille en la tournant un quart de tour.
6. Serrez la vis de verrouillage de la lentille.
7. Rallumez l'alimentation et testez le système d'avertissement DEL modèle AV1 pour un fonctionnement correct.

Remplacement des barrettes de circuit imprimé du système d'avertissement DEL modèle AV1

Bien que les barrettes de circuit imprimé du système d'avertissement DEL modèle AV1 soient conçues pour fonctionner pendant des années, des pièces de rechange sont disponibles. Les couleurs de DEL et les numéros des pièces de rechange sont présentés dans le tableau 2 à la page 39. Les barrettes de circuit imprimé sont connectées en série ; vous devez donc les remplacer toutes les trois.

Les barrettes de circuit imprimé sont retenues par une patte de fixation à 60 degrés les uns aux autres. Lorsqu'elles sont retenues par la patte de fixation, les barrettes de circuit imprimé se connectent aux bornes J5, J7 et J8 sur le circuit imprimé d'alimentation. Les barrettes de circuit imprimé sont fixées au circuit imprimé d'alimentation avec une vis cruciforme Phillips (figure 1, page 28).

▲ AVERTISSEMENT

RISQUE DE CHOC — Ne pas brancher la lumière au système pendant que la source d'alimentation est allumée. Le non-respect de cet avertissement peut causer des blessures graves ou mortelles.

Pour retirer les barrettes de circuit imprimé du système d'avertissement DEL modèle AV1 :

1. Coupez l'alimentation du système.
2. Desserrez la vis de blocage de la lentille et tournez-la un quart de tour dans le sens inverse des aiguilles d'une montre. Retirez la lentille du boîtier supérieur.
3. Retirez la vis cruciforme en conservant le support retenant les barrettes de circuit imprimé du système d'avertissement DEL modèle AV1.
4. Saisissez les trois barrettes de circuit imprimé du système d'avertissement DEL modèle AV1 et tirez-les directement vers le haut et hors du circuit imprimé d'alimentation.
5. Retirez et remplacez les barrettes de circuit imprimé du système d'avertissement DEL modèle AV1 sur le support de fixation.
6. Insérez le support avec les barrettes de circuit imprimé du système d'avertissement DEL modèle AV1 sur les bornes du circuit imprimé d'alimentation. Fixez l'ensemble avec la vis cruciforme.
7. Alignez les tenons du boîtier avec les crans de la lentille. Appliquez une pression vers le bas sur la lentille en la tournant un quart de tour.
8. Serrez la vis de verrouillage de la lentille.
9. Rallumez l'alimentation et testez le système d'avertissement DEL modèle AV1 pour un fonctionnement correct.

Obtenir de l'entretien, de l'assistance et des pièces de rechange

Federal Signal entretiendra votre produit et fournira une assistance et un soutien technique. Veuillez appeler les numéros de téléphone ci-dessous. Pour les manuels d'instruction et des informations sur les produits connexes, rendez-vous à l'adresse <http://www.federal-signal-indust.com>

Service de réparation

Les produits retournés pour réparation doivent être accompagnés d'un formulaire d'autorisation de retour. Pour obtenir une réparation pour le produit, veuillez contacter le service des réparations de Federal Signal au 708-534-4858.

Assistance technique

Pour une assistance technique, veuillez contacter le service d'assistance technique au 708-534-3424 poste 5823.

Accessoires de montage et pièces de rechange

Pour commander des pièces de rechange, veuillez contacter le service à la clientèle de Federal Signal au 708-534-4756. Pour les accessoires de montage et les pièces de rechange, voir le tableau 1 ci-dessous et le tableau 2 à la page 39.

Tableau 1 Accessoires de montage

Description	Numéro de modèle
Support de montage, mural	LWMB2
Support de montage, coin	LCMB2

Tableau 2 Pièces de rechange

Description	Numéro de pièce
Lentille, claire	K8550292
Lentille, bleue	K8550292-01
Lentille, ambrée	K8550292-02
Lentille, rouge	K8550292-03
Lentille, verte	K8550292-04
Joint de lentille	K8550306
Joint pour montage sur une surface	K8591003
Ensemble de circuit imprimé, 120 V CA	K2005642
Ensemble de circuit imprimé, 24 V CC	K2005695
Barrettes de circuit imprimé du système d'avertissement DEL modèle AV1, ambrée (3 sont requises)	K2005633-A
Barrettes de circuit imprimé du système d'avertissement DEL modèle AV1, bleue (3 sont requises)	K2005633-B
Barrettes de circuit imprimé du système d'avertissement DEL modèle AV1, verte (3 sont requises)	K2005633-G
Barrettes de circuit imprimé du système d'avertissement DEL modèle AV1, rouge (3 sont requises)	K2005633-R
Barrettes de circuit imprimé du système d'avertissement DEL modèle AV1, blanche (3 sont requises)	K2005633-W
Avertisseur sonore, 120 V CA	K8591002
Avertisseur sonore, 24 V CC	K8591002-03

Retour d'un produit pour un avoir

Les produits à retourner pour un avoir nécessitent une autorisation de retour de votre distributeur local avant de pouvoir être retournés à Federal Signal. Veuillez contacter votre distributeur si vous avez besoin d'assistance.

Un produit peut être retourné pour un avoir lorsque les conditions suivantes sont remplies :

- Le produit est revendable et dans son emballage d'origine
- Le produit n'a pas été préalablement installé
- Le produit est du modèle actuel
- Le produit n'a pas déjà été réparé
- Le produit est un produit standard
- Le produit n'est pas une pièce réparée

Tous les retours sont assujettis à des frais de remise en stock.

Les produits défectueux qui sont retournés durant la période de garantie seront réparés ou remplacés à la discrétion de Federal Signal. Les produits défectueux ne comprennent pas les produits présentant un bris de la lampe.

Les circonstances autres que celles énumérées ci-dessus seront adressées au cas par cas.



Industrial Systems
2645 Federal Signal Drive • University Park, IL 60484-3167
Téléphone : 708-534-4756 • Fax : 708-534-4852
Courriel : elp@federalsignal.com • www.federalsignal-indust.com



FEDERAL SIGNAL

Safety and Security Systems / **Industrial**

Advancing security and well being

Modelo AV1-LED Luz LED audiovisual



***Manual de instalación y
mantenimiento***



Garantía – El Vendedor garantiza todos los bienes. Las piezas tienen una garantía de cinco años y la fabricación, una garantía de 2 años y medio, si se cumplen las siguientes condiciones y excepciones: El Vendedor garantiza que todos los bienes que fabrique el Vendedor cumplirán con las descripciones provistas para las especificaciones que expresamente forman parte de este contrato de ventas y, al momento en que el Vendedor realice la venta, los bienes estarán comercialmente libres de defectos en los materiales o la fabricación. El Vendedor se reserva el derecho de “Reparar y Devolver” o “Reemplazar”, según su criterio, los elementos que se consideren defectuosos durante el período de la garantía. Esta garantía no cubre los gastos de viaje, el costo de equipo especializado para obtener acceso al producto o los gastos de mano de obra para la extracción y la reinstalación del producto. Esta garantía quedará sin efecto y no se aplicará a los bienes que hayan sido sujetos a mal uso, negligencia, accidente, daño, mantenimiento inadecuado, o a bienes modificados o reparados por cualquier persona que no sea el Vendedor o su representante autorizado, o si han pasado cinco años desde la fecha de envío de los bienes por parte del Vendedor con las siguientes excepciones: las lámparas y los tubos estroboscópicos no están cubiertos por esta garantía. Las sirenas exteriores de advertencia y los controladores fabricados por Federal Warning Systems cuentan con garantía de dos años para las piezas y un año para la fabricación. Ningún agente, empleado, representante o distribuidor del Vendedor tiene autoridad para vincular al Vendedor con cualquier tipo de representación, afirmación o garantía en relación con los bienes y dicha representación, afirmación o garantía no deberá considerarse parte de los conceptos básicos del contrato de ventas y no podrá hacerse cumplir. LAS GARANTÍAS ANTERIORMENTE CITADAS SON EXCLUSIVAS Y SE APLICAN EN LUGAR DE TODAS LAS OTRAS GARANTÍAS DE COMERCIALIZACIÓN, APTITUD PARA EL USO Y DE CUALQUIER OTRO TIPO, YA SEAN EXPRESAS O IMPLÍCITAS. Estas garantías no se aplicarán a menos que se dé al Vendedor la oportunidad razonable de investigar todas las reclamaciones correspondientes a los bienes supuestamente defectuosos. Según las instrucciones del Vendedor, se devolverá al Vendedor una muestra de los bienes supuestamente defectuosos para que los inspeccione y los apruebe. Se deberán explicar de manera exhaustiva, y por escrito, los motivos de todas las reclamaciones por supuestos defectos en los bienes que no se descubran luego de la inspección razonable, de conformidad con el párrafo 8, y el Vendedor deberá recibir la justificación dentro de los treinta días posteriores a que el Comprador descubra el defecto. De lo contrario, dicha reclamación no será válida.



FEDERAL SIGNAL

Safety and Security Systems / **Industrial**

Industrial Systems

2645 Federal Signal Drive • University Park, IL 60484-3167

Tel: 708-534-4756 • Fax: 708-534-4852

Correo electrónico: elp@federalsignal.com • www.federalsignal-indust.com

Contenido

Mensajes de seguridad para instaladores y usuarios.....	45
Desempaque del modelo AV1-LED.....	46
Introducción al modelo AV1-LED	46
Montaje del modelo AV1-LED	46
Montaje del tubo	47
Montaje en superficie.....	47
Cableado del modelo AV1-LED	49
Suministro de energía único para la luz y la sirena.....	49
Suministros de energía separados para la luz y la sirena	50
Selección del modo de funcionamiento del modelo AV1-LED	52
Mensaje de seguridad para el personal de mantenimiento.....	53
Reemplazo de la sirena	55
Acceso a la sirena.....	55
Reemplazo de la sirena y rearmado de la luz.....	55
Reemplazo de los PCBA con varilla para AV1-LED.....	56
Obtención de servicio, asistencia y piezas.....	57
Servicio de reparación	57
Asistencia técnica.....	57
Montaje de accesorios y piezas de repuesto	57
Devolución de un producto para obtener crédito.....	59

Figuras

Figura 1 Vista de despiece del montaje en superficie	48
Figura 2 Dimensiones del orificio de montaje	49
Figura 3 Cableado para suministro de energía único.....	50
Figura 4 Cableado para suministros de energía separados	51
Figura 5 Puentes de conexión que controlan la luz LED y el timbre	52
Figura 6 Vista de despiece con sirena	54

Tablas

Tabla 1 Accesorios de montaje.....	58
Tabla 2 Piezas de repuesto	58

Mensajes de seguridad para instaladores y usuarios

⚠ ADVERTENCIA

Es importante seguir todas las instrucciones que se envían con este producto. Este dispositivo debe ser instalado por personal capacitado que conozca por completo los códigos eléctricos del país y cumpla con estas pautas y con los códigos locales.

La selección de una ubicación de montaje para el modelo AV1-LED, sus controles y su enrutamiento de cableado deben realizarse bajo la dirección del ingeniero de instalaciones y el ingeniero de seguridad. Además, a continuación se enumeran otras instrucciones y precauciones importantes de seguridad que debe seguir:

- Lea y entienda todas las instrucciones antes de instalar o hacer funcionar este producto.
- Para evitar descargas eléctricas, desconecte la luz del suministro de energía antes de instalar la luz.
- Después de la instalación, pruebe el sistema para asegurarse de que funcione correctamente.
- La placa del producto, que puede contener precauciones u otra información importante para el personal de mantenimiento, no debe ocultarse de ninguna manera.
- Para ser un dispositivo de advertencia eficaz, este producto produce una luz brillante que puede ser peligrosa para la vista cuando se mira de cerca. No mire directamente de cerca este producto de iluminación porque puede dañarle la vista.
- Establezca un procedimiento para verificar el sistema periódicamente para su correcta activación y funcionamiento.
- Una vez que complete la prueba, proporcione una copia de estas instrucciones a todo el personal de operaciones.

El incumplimiento de las precauciones de seguridad y de las instrucciones puede provocar daños a la propiedad, lesiones graves o la muerte.

Desempaque del modelo AV1-LED

Luego de desempacar el modelo AV1-LED, examínelo para ver si se produjo algún daño durante el traslado. Si el producto se ha dañado, no intente instalarlo ni hacerlo funcionar. Presente una reclamación de inmediato a la empresa de transportes y mencione la magnitud del daño. Verifique cuidadosamente todos los sobres y etiquetas de envío antes de retirarlas o destruirlas. Si falta alguna pieza, llame al Servicio de Asistencia al Cliente de Federal Signal al 708-534-4756.

Introducción al modelo AV1-LED

El modelo AV1-LED que combina señales auditivas y visuales presenta una carcasa 100 por ciento de policarbonato que se clasifica para aplicaciones herméticas de tipo 3R. La lente de Fresnel ofrece visibilidad superior en todas las direcciones. Los colores disponibles para la lente incluyen ámbar, azul, transparente, verde y rojo. La configuración de los puentes de conexión le permiten seleccionar una frecuencia de destello rápida o lenta y también seleccionar si el timbre o la luz LED funcionarán de manera intermitente o continua. El diseño AV1-LED proporciona tres configuraciones de montaje. La base negra podrá montarse a un tubo de 1/2 pulgada de roscas de tubería nacional (National Pipe Threads, NPT), a una caja eléctrica octogonal de 4 pulgadas o a cualquier superficie plana. La junta del montaje en superficie sirve como modelo para la preparación de una superficie plana con orificios de montaje adecuados.

Todas las unidades del modelo AV1-LED presentan una exclusiva lente que se enrosca y se traba para permitir el acceso sin herramientas a la luz LED. El timbre integrado ofrece una salida de 85 dB a 3 m (10 pies) (95 dB a 1 m [3 pies]). Hay dos variaciones de voltaje disponibles: 24 V CC y 120 V CA. Cada modelo AV1-LED se ensambla en fábrica con dos cables codificados por color para el cableado a una caja de conexión. Si es necesario, los instaladores pueden quitar los cables y conectar el suministro de energía al modelo AV1-LED directamente al bloque terminal ubicado en la base de la unidad.

Montaje del modelo AV1-LED

En esta sección se describe cómo montar el tubo y cómo montar la luz en superficie. Para montar la luz en una superficie vertical, use un juego de montaje para el modelo LWMB2 (soporte de montaje para pared) o LCMB2 (soporte de montaje para esquina) (Tabla 1 en la página 58) que se venden por separado.

Para una instalación impermeable, la luz debe montarse en forma vertical con la lente orientada hacia arriba.

Montaje del tubo

Para montar el modelo AV1-LED en un tubo de 1/2 pulgada de roscas de tubería nacional:

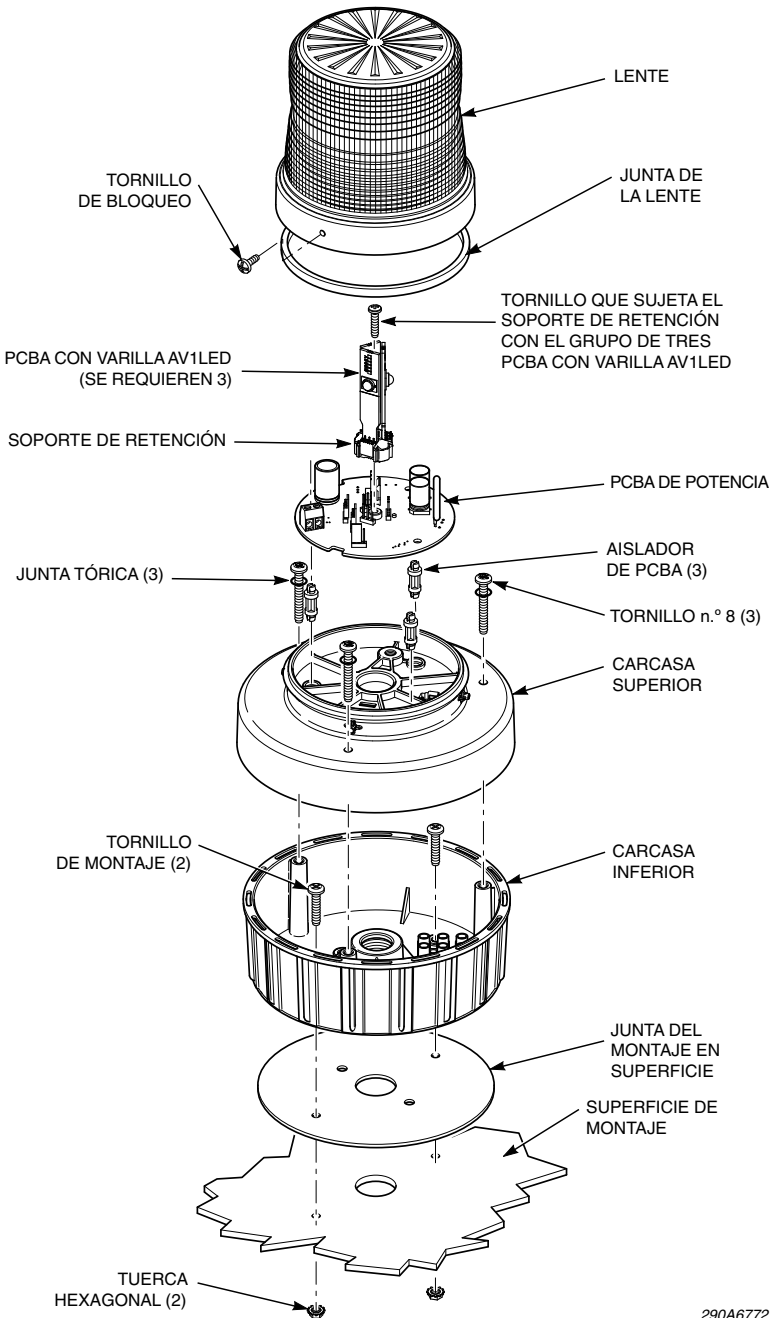
1. Coloque la luz en el tubo girándola hacia la derecha.
2. Para realizar las conexiones eléctricas, consulte “Cableado del modelo AV1-LED” en la página 49.

Montaje en superficie

Para montar el modelo AV1-LED en una superficie de montaje plana:

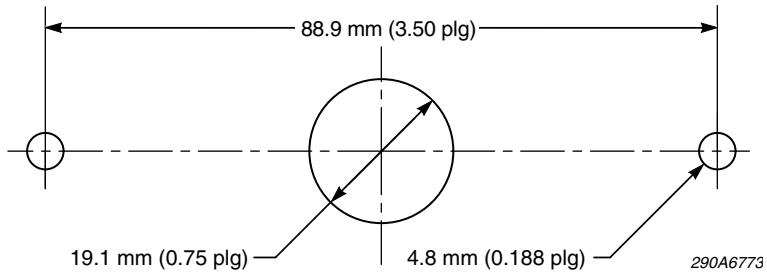
1. Extraiga y separe los tres tornillos n.º 8 que sujetan la carcasa superior a la inferior. Extraiga la carcasa superior. (Figura 1 en la página 48).
2. Usando la junta como modelo o las dimensiones que se muestran en la Figura 2 en la página 49, trace tres marcas para la posición del taladro en la superficie de montaje.
3. Para montar la pieza, realice un orificio de 4.8 mm (3/16 plg) de diámetro en las dos marcas exteriores para la posición de la perforadora.
4. Perfore un orificio de 19.1 mm (3/4 plg) de diámetro en la marca para la posición central de la perforadora para la entrada del cable.
5. Use una perforadora pequeña para quitar los troqueles correspondientes en la carcasa inferior.
6. Centre los orificios de montaje en la junta de goma sobre los orificios de montaje en la superficie de montaje.
7. Centre los orificios de montaje en la carcasa inferior sobre los orificios de montaje en la junta.
8. Sujete la luz a la superficie de montaje con los dos tornillos de montaje.
9. Consulte “Cableado del modelo AV1-LED” en la página 49 para completar la instalación.

Figura 1 Vista de despiece del montaje en superficie



290A6772

Figura 2 Dimensiones del orificio de montaje



Cableado del modelo AV1-LED

El modelo AV1-LED se ensambla en fábrica con dos cables codificados por color para el cableado a una caja de conexión. Para conectar el modelo AV1-LED directamente a un suministro de energía, simplemente retire los cables de fábrica y haga las conexiones eléctricas al bloque terminal ubicado en la carcasa inferior.

⚠ ADVERTENCIA

PELIGRO DE DESCARGA ELÉCTRICA. No conecte la luz al sistema mientras haya suministro de energía. El incumplimiento de esta advertencia puede provocar lesiones graves o la muerte.

Suministro de energía único para la luz y la sirena

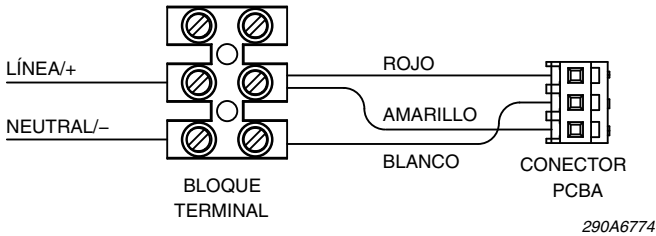
Para la instalación se requieren cables de suministro del tamaño adecuado (12 AWG [3.0 mm²] de grosor máximo).

Para cablear la luz a un suministro de energía único para la unidad haga lo siguiente:

1. Apague la energía del sistema.
2. Extraiga y separe los tres tornillos n.º 8 que sujetan la carcasa superior a la inferior. Extraiga la carcasa superior.
3. Retire del bloque terminal los cables del cableado de fábrica.
4. Enrute los cables de suministro del calibre adecuado en la carcasa a través de la entrada del conducto.

5. Desprenda un máximo de 6.4 mm (0.25 plg) de aislamiento del cable de los extremos de los cables de energía.
6. Vea la Figura 3. Para conectar los cables al bloque terminal, introduzca los extremos desprendidos de los cables en el conector lo más lejos posible, luego ajuste el tornillo de fijación. El par de ajuste máximo es de 4.5 plg-lb (0.5 N•m).
7. Vuelva a armar el modelo AV1-LED, restablezca la energía y pruebe la unidad para ver si funciona bien.

Figura 3 Cableado para suministro de energía único



Suministros de energía separados para la luz y la sirena

En algunas aplicaciones puede ser beneficioso controlar la luz independiente de la sirena. En este caso, se puede conectar un cableado de suministro de energía separado para cada uno de los dispositivos al bloque terminal. Para la instalación se requieren cables de suministro del tamaño adecuado (14 AWG [2.0 mm²] de grosor máximo).

⚠ ADVERTENCIA

PELIGRO DE DESCARGA ELÉCTRICA. No conecte la luz al sistema mientras haya suministro de energía. El incumplimiento de esta advertencia puede provocar lesiones graves o la muerte.

Para cablear la luz y la sirena a suministros de energía separados, realice lo siguiente:

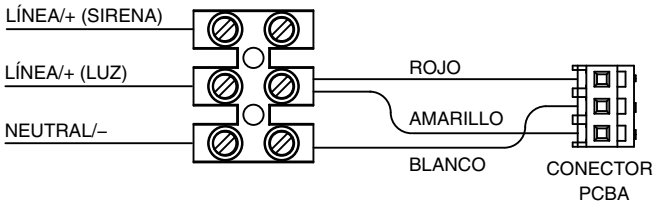
1. Apague la energía del sistema.
2. Extraiga y separe los tres tornillos n.º 8 que sujetan la carcasa superior a la inferior. Extraiga la carcasa superior.

3. Retire del bloque terminal los cables del cableado de fábrica.
4. Enrute cables de suministro separados del calibre adecuado para la luz y la sirena en la caja a través de la entrada del conducto.
5. Desprenda un máximo de 6.4 mm (0.25 plg) de aislamiento del cable de los extremos de los cables de energía.
6. Vea la Figura 4. Para conectar los cables al bloque terminal, introduzca los extremos desprendidos de los cables en el conector lo más lejos posible, luego ajuste el tornillo de fijación. El par de ajuste máximo es de 4.5 plg-lb (0.5 N•m).

NOTA: Si es necesario combinar dos cables NEUTRALES/–, conéctelos al mismo terminal en el bloque terminal.

7. Vuelva a armar el modelo AV1-LED, restablezca la energía y pruebe la unidad para ver si funciona bien.

Figura 4 Cableado para suministros de energía separados



290A6775

Selección del modo de funcionamiento del modelo AV1-LED

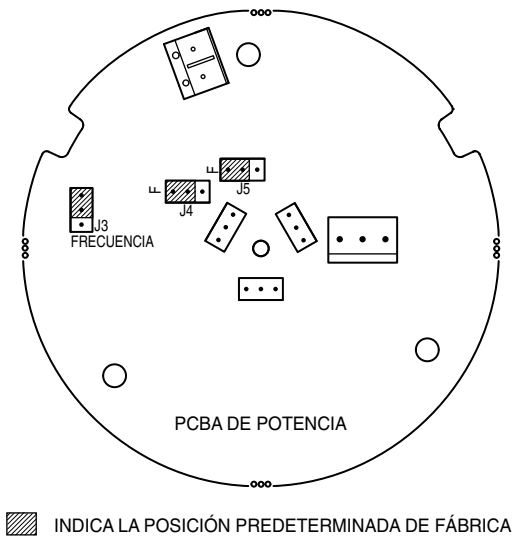
Los puentes de conexión en J3, J4 y J5 en el montaje de tablero de circuito impreso (Printed Circuit Board Assembly, PCBA) de energía le permiten seleccionar el funcionamiento del modelo AV1-LED. Las opciones son (configuración de fábrica entre corchetes):

- ◆ J3 Frecuencia de destello: [rápida] o lenta
- ◆ J4 LED: [intermitente] o continua
- ◆ J5 Sirena: [intermitente] o continua

En la Figura 5 se muestran las ubicaciones y las posiciones predeterminadas de fábrica de los tres puentes de conexión.

NOTA: Las características de iluminación y sonido continuos permiten que el AV1-LED funcione con variaciones en los patrones de destello externos y durante el ciclo de servicio. Sin embargo, el AV1-LED no está diseñado para estar encendido continuamente durante períodos prolongados. Esto reduce significativamente la vida útil de la sirena, por lo que no se recomienda el funcionamiento continuo del AV1-LED.

Figura 5 Puentes de conexión que controlan la luz LED y el timbre



Mensaje de seguridad para el personal de mantenimiento

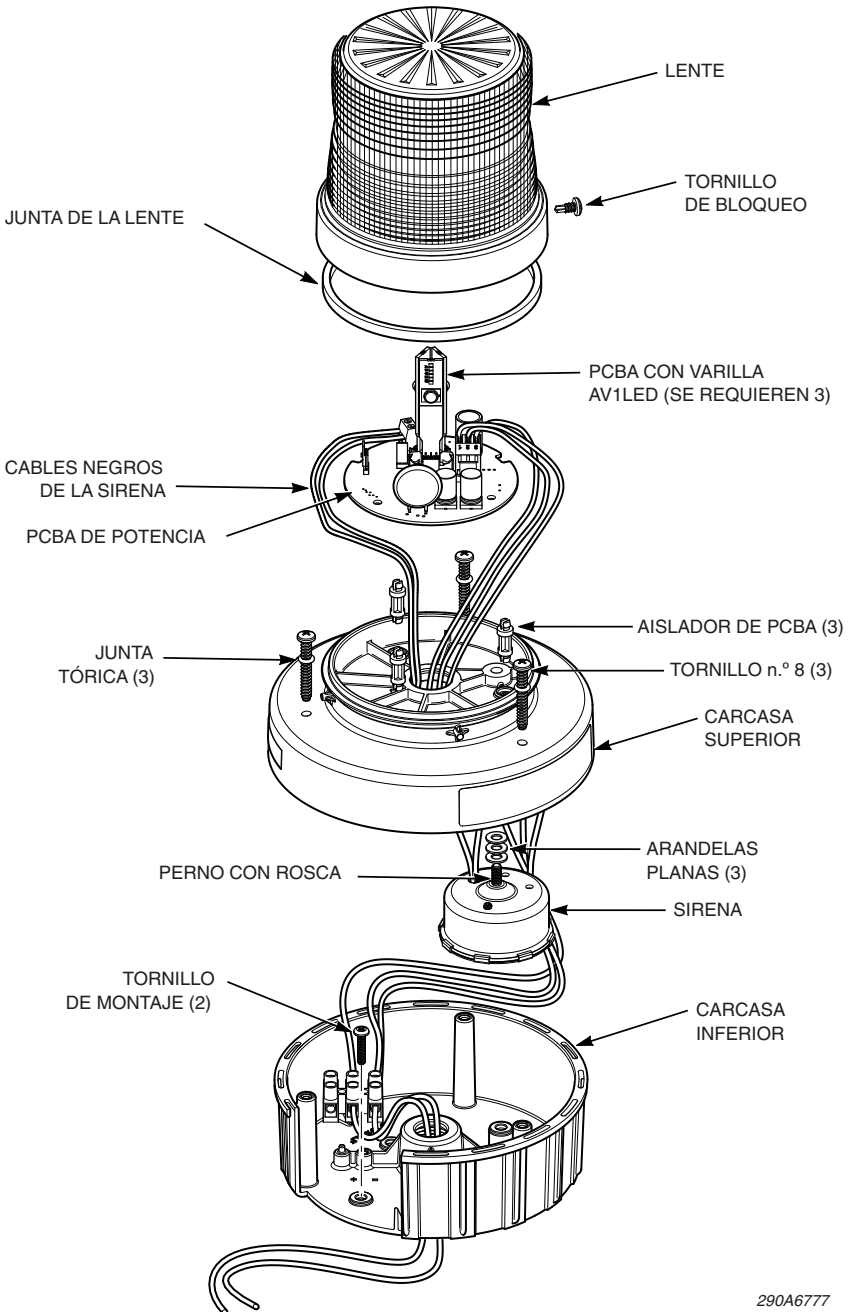
▲ ADVERTENCIA

A continuación se enumeran algunas instrucciones y precauciones de seguridad importantes que usted debe seguir:

- Todo mantenimiento en el sistema debe ser realizado por un electricista capacitado de conformidad con las pautas del código eléctrico nacional (National Electric Code, NEC), el código eléctrico de Canadá (Canadian Electric Code, CEC) y los códigos locales.
- Lea y entienda todas las instrucciones antes de hacer funcionar este sistema.
- Para evitar descargas eléctricas, corte el suministro eléctrico del sistema antes de realizar el mantenimiento.
- El sistema de circuitos del modelo AV1-LED puede dañarse con una descarga electrostática. Siga los procedimientos antiestáticos cuando revise este producto.
- Nunca modifique la unidad de ninguna manera. La seguridad puede verse afectada si se realizan aberturas adicionales u otras modificaciones en la unidad.
- La placa, que contiene precauciones u otra información importante para el personal de mantenimiento, no debe ocultarse de ninguna manera.
- Para ser un dispositivo de advertencia eficaz, este producto produce una luz brillante que puede ser peligrosa para la vista cuando se mira de cerca. No mire directamente de cerca este producto de iluminación porque puede dañarle la vista.
- Después de realizar el mantenimiento, pruebe el sistema para asegurarse de que funcione correctamente.
- Establezca un procedimiento para verificar el sistema periódicamente para su correcta activación y funcionamiento.

El incumplimiento de las precauciones de seguridad y de las instrucciones puede provocar daños a la propiedad, lesiones graves o la muerte.

Figura 6 Vista de despiece con sirena



290A6777

Reemplazo de la sirena

Revise ocasionalmente el equipo para detectar alguna reducción en el rendimiento de la sirena. Reemplace la sirena si la presión se reduce a un nivel ineficaz.

▲ ADVERTENCIA

PELIGRO DE DESCARGA ELÉCTRICA. No conecte la luz al sistema mientras haya suministro de energía. El incumplimiento de esta advertencia puede provocar lesiones graves o la muerte.

Acceso a la sirena

La sirena se encuentra ubicada en la parte inferior de la carcasa superior (Figura 6 en la página 54).

Para acceder a la sirena, realice lo siguiente:

1. Apague la energía del sistema.
2. Afloje el tornillo de bloqueo de la lente y enrosque la lente girándola hacia la izquierda. Retire la lente de la carcasa superior.
3. Afloje los tornillos en el bloque terminal J9 en el PCBA y retire los cables negros de la sirena.
4. Los orificios de montaje permiten una sola orientación del PCBA. Anote o marque la orientación.
5. Use un destornillador de cabeza plana para examinar cuidadosamente el PCBA de los tres aisladores de nilón y aparte el PCBA.
6. Retire los tres tornillos n.º 8 que sujetan la carcasa superior a la carcasa inferior y retire la carcasa superior.

Reemplazo de la sirena y rearmado de la luz

1. Desatornille la sirena de la carcasa superior (Figura 5 en la página 52). Tenga cuidado de no perder las tres arandelas que separan la sirena de la carcasa superior.
2. Coloque las arandelas en el casquillo con rosca de la nueva sirena y ajuste la sirena con la mano.

3. Para volver a conectar los cables al bloque terminal, introduzca los extremos de los cables en el conector J9 lo más lejos posible, luego ajuste el tornillo de fijación. El par de ajuste máximo es de 4.5 plg-lb (0.5 N•m).
4. Presione suavemente el PCBA en los aisladores hasta que se traben en su lugar.
5. Alinee las clavijas en la carcasa con los posicionadores en la lente. Ejercer presión hacia abajo sobre la lente mientras la gira un cuarto de giro hacia la derecha.
6. Ajuste el tornillo de bloqueo de la lente.
7. Restablezca la energía y pruebe el modelo AV1-LED para verificar el funcionamiento correcto.

Reemplazo de los PCBA con varilla para AV1-LED

Si bien los PCBA con varilla AV1-LED están diseñados para brindar años de utilidad, hay disponibilidad de piezas de repuesto. Los colores de la luz LED y los números de las piezas de repuesto se muestran en la Tabla 2 en la página 58. Debido a que los PCBA con varilla se conectan en serie, debe reemplazar los tres.

Los PCBA con varilla se sujetan con un soporte de retención a 60 grados entre sí. Cuando se unen con el soporte, los PCBA se conectan a clavijas en J5, J7 y J8 en el PCBA de energía. Los PCBA con varilla se sujetan al PCBA de potencia con un tornillo de cabeza Phillips (Figura 1 en la página 48).

⚠ ADVERTENCIA

PELIGRO DE DESCARGA ELÉCTRICA. No conecte la luz al sistema mientras haya suministro de energía. El incumplimiento de esta advertencia puede provocar lesiones graves o la muerte.

Para extraer los PCBA con varilla AV1-LED, realice lo siguiente:

1. Apague la energía del sistema.
2. Afloje el tornillo de bloqueo de la lente y enrosque la lente girándola hacia la izquierda. Retire la lente de la carcasa superior.
3. Retire el tornillo de cabeza Phillips que retiene el soporte que sujeta los PCBA con varilla AV1-LED.

4. Sujete el grupo de tres PCBA con varilla AV1-LED y tire de ellos hacia arriba desde el PCBA de potencia.
5. Retire y reemplace los PCBA con varilla AV1-LED en el soporte de retención.
6. Introduzca el soporte dentro de los PCBA con varilla dentro de las clavijas en el PCBA de potencia. Sujete el montaje con el tornillo de cabeza Phillips.
7. Alinee las clavijas en la carcasa con los posicionadores en la lente. Ejercer presión hacia abajo sobre la lente mientras la gira un cuarto de giro hacia la derecha.
8. Ajuste el tornillo de bloqueo de la lente.
9. Restablezca la energía y pruebe el modelo AV1-LED para verificar el funcionamiento correcto.

Obtención de servicio, asistencia y piezas

Federal Signal revisará su producto y le proporcionará asistencia y soporte técnico. Llame a los números de teléfono que se mencionan a continuación. Para obtener manuales de instrucciones e información acerca de productos relacionados, visite <http://www.federal-signal-indust.com>

Servicio de reparación

Los productos devueltos para reparación necesitan un formulario de Autorización de Devolución. Para obtener servicio para el producto, comuníquese con el Departamento de Servicio de Federal Signal al 708-534-4858.

Asistencia técnica

Para obtener asistencia técnica, llame a Apoyo Técnico al 708-534-3424, extensión 5823.

Montaje de accesorios y piezas de repuesto

Para solicitar piezas de repuesto, llame al Servicio de Asistencia al Cliente de Federal Signal al 708-534-4756.

Para obtener accesorios de montaje y piezas de repuesto, consulte las Tablas 1 y 2 en la página 58.

Tabla 1 Accesorios de montaje

Descripción	Número de modelo
Soporte de montaje, pared	LWMB2
Soporte de montaje, esquina	LCMB2

Tabla 2 Piezas de repuesto

Descripción	Número de pieza
Lente, transparente	K8550292
Lente, azul	K8550292-01
Lente, ámbar	K8550292-02
Lente, roja	K8550292-03
Lente, verde	K8550292-04
Junta de la lente	K8550306
Junta del montaje en superficie	K8591003
Montaje de tablero de circuito impreso, 120 V CA	K2005642
Montaje de tablero de circuito impreso, 24 V CC	K2005695
PCBA, AV1-LED con varilla, ámbar (se requieren 3)	K2005633-A
PCBA, AV1-LED con varilla, azul (se requieren 3)	K2005633-B
PCBA, AV1-LED con varilla, verde (se requieren 3)	K2005633-G
PCBA, AV1-LED con varilla, rojo (se requieren 3)	K2005633-R
PCBA, AV1-LED con varilla, blanco (se requieren 3)	K2005633-W
Sirena, 120 V CA	K8591002
Sirena, 24 V CC	K8591002-03

Devolución de un producto para obtener crédito

Las devoluciones de productos para obtener crédito requieren una Autorización de Devolución de su distribuidor local antes de devolver el producto a Federal Signal. Comuníquese con su distribuidor para obtener ayuda.

Un producto puede devolverse para obtener crédito cuando se cumplen las siguientes condiciones:

- El producto se puede revender y se encuentra en el empaque original.
- El producto no se ha instalado anteriormente.
- El producto está en revisión en ese momento.
- El producto no se ha reparado anteriormente.
- El producto es un producto estándar.
- El producto no es una pieza de servicio.

Todas las devoluciones están sujetas a una tarifa de reabastecimiento.

Los productos defectuosos que se devuelven dentro del período de garantía se repararán o se reemplazarán a criterio de Federal Signal. Los productos defectuosos no incluyen los que tienen una falla en la lámpara.

Otras circunstancias que no sean las mencionadas anteriormente se tratarán caso por caso.



FEDERAL SIGNAL

Safety and Security Systems / **Industrial**

Industrial Systems

2645 Federal Signal Drive • University Park, IL 60484-3167

Tel: 708-534-4756 • Fax: 708-534-4852

Correo electrónico: elp@federalsignal.com • www.federalsignal-indust.com